

Vertical-Lift Drum Pourers

MADE
IN
USA

Model Numbers

		AC Motor * Power Hydraulic Lift & Tilt	Air Motor † Power Hydraulic Lift & Tilt	12V DC ** Power Hydraulic Lift & Tilt	AC Motor * Power Hydraulic Lift, Manual Tilt ***	Air Motor † Power Hydraulic Lift, Manual Tilt ***	12V DC ** Power Hydraulic Lift, Manual Tilt ***	Manual Hydraulic Lift, Manual Tilt ***
Scale Equipped	Single-Stage with 60" (1.5 m) Lift	515-N-110	515-T-114 515-N-114 515M-T-114	515-N-115	515-N-120	515-T-124 515-N-124 515M-T-124	515-N-125	515-T 515M-T 515-N
	Two-Stage with 106" (2.7 m) Lift	525-N-110	525-T-114 525-N-114 525M-T-114	525-N-115	525-N-120	525-T-124 525-N-124 525M-T-124	525-N-125	525-T 525M-T 525-N
Non Scale Equipped	Single-Stage with 60" (1.5 m) Lift	510-110	510-114 510M-114	510-115	510-120	510-124 510M-124	510-125	510 510M
	Two-Stage with 106" (2.7 m) Lift	520-110	520-114 520M-114	520-115	520-120	520-124 520M-124	520-125	520 520M

† "T" in Model # = Intrinsically safe scale indicator for hazardous environment. "N" in Model # = NOT for hazardous areas.

‡ "M" in Model # = Model with spark resistant parts such as drum holder bands made of monel.

* Standard motors are TEFC, 1HP for 115V AC, 60 Hz.

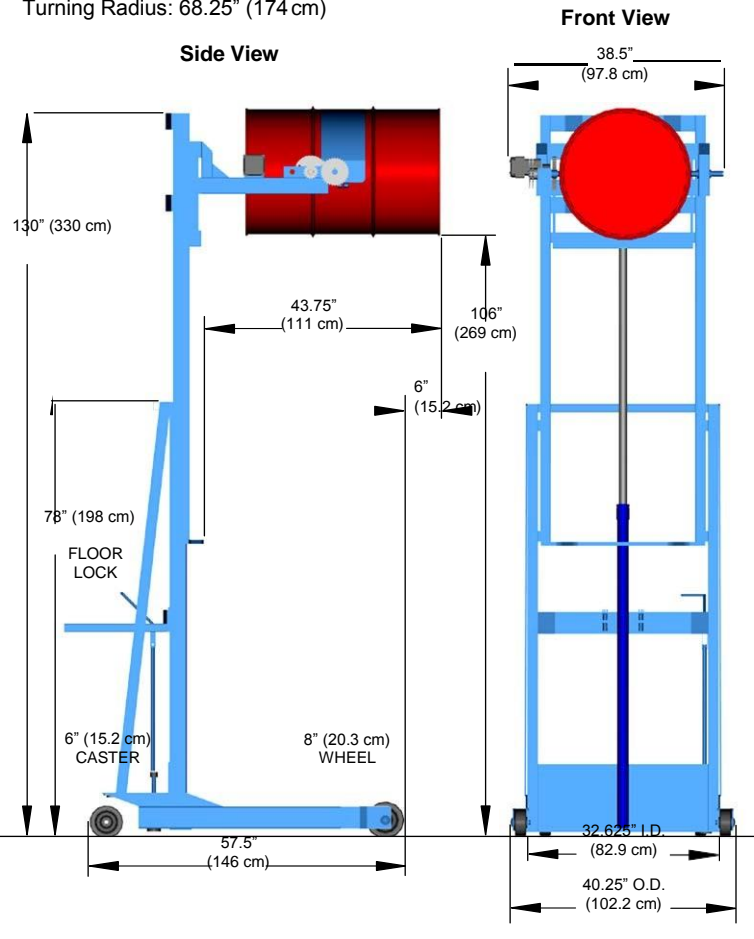
** 12V DC power option includes battery and 110V AC charger.

*** Manual tilt control for 510 and 515 Series is hand crank. Manual tilt control for 520 and 525 Series is chainwheel and pull-chain.

† Air motor requirements: 40 - 60 PSI at 40 SCFM.

Dimensions

Two-Stage pour up to 106" (269 cm) high, and retract to a minimum height of 78" (198 cm).
Turning Radius: 68.25" (174 cm)



Single-Stage pour up to 60" (152 cm) high, and retract to a minimum of height of 78" (198 cm).
Turning Radius: 61" (155 cm)

