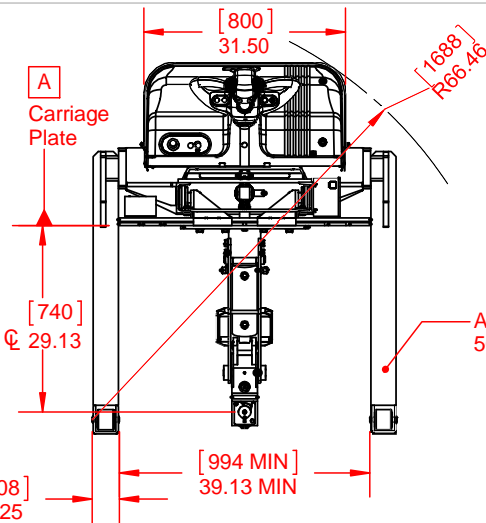
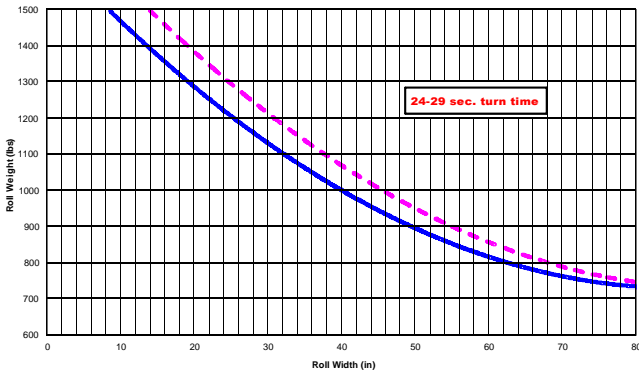
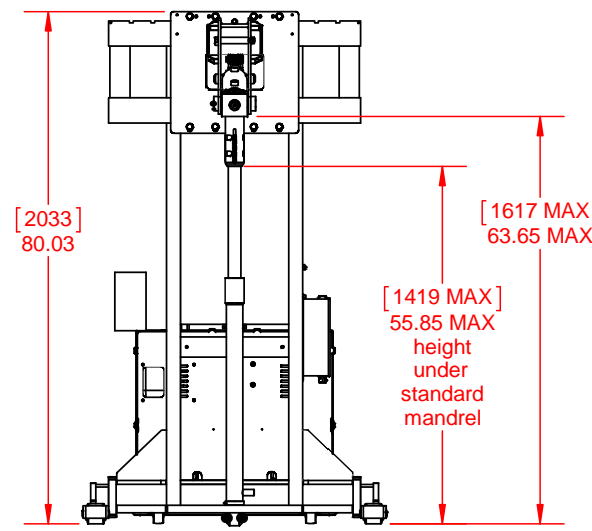
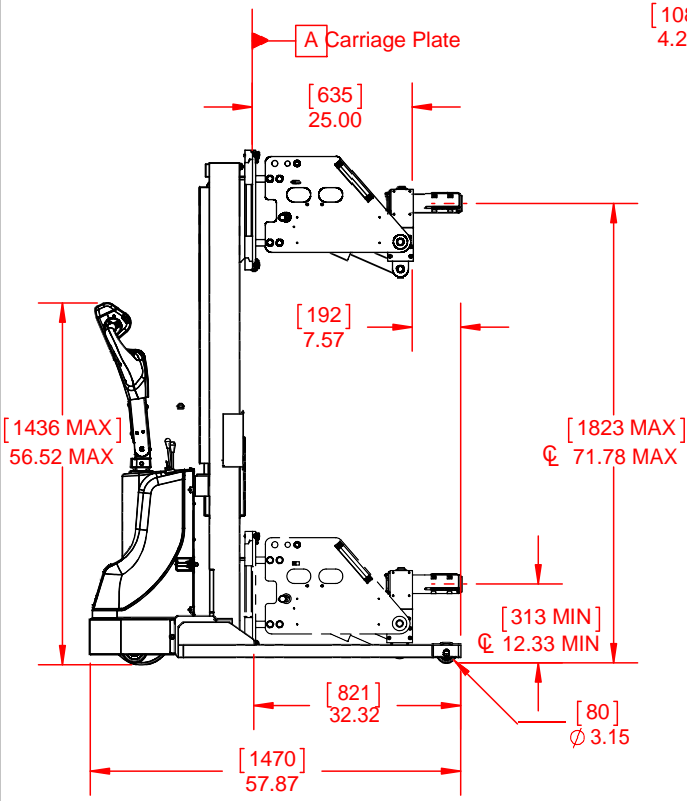


PT10X Hydraulic Turner on Stackers

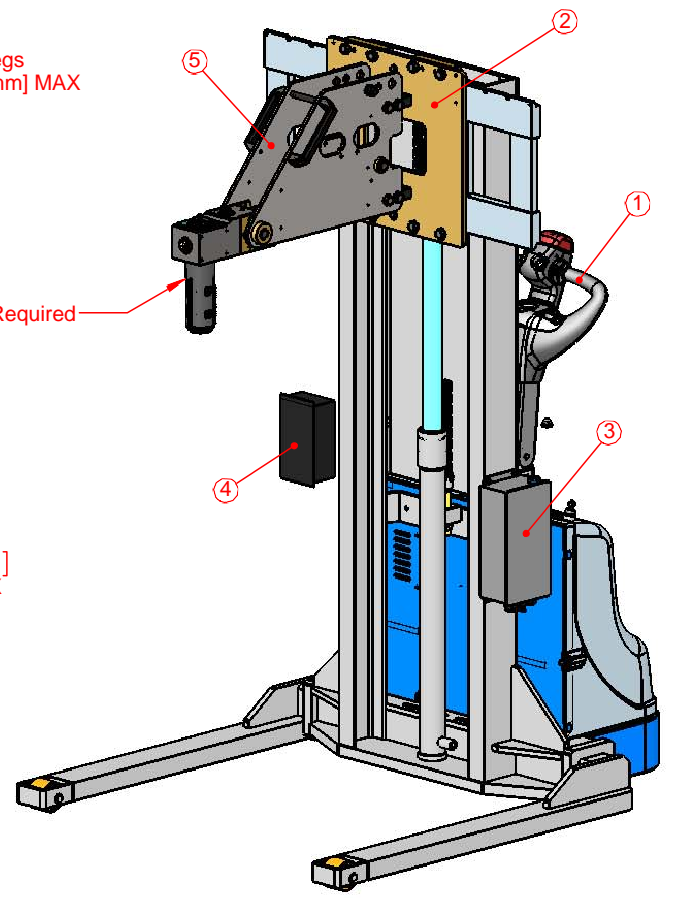
Capacity Rigid Mount Capacity w/ Side Shift



ITEM NO.	PART NUMBER	DESCRIPTION	QTY.
1	P-60146	Armani SpeedyLight SL	1
2	E-206104	Tooling Hook Mount for Hydraulic stacker attachments	1
3	E-210069	Armani PT10X Controls	1
4	E-206107	Precision Hydraulics Package w/charger (Speedy)	1
5	E-206113	Hydraulic Turner Tooling (HD mandrel)	1



Mandrel sold separately  
Reference only  
Remote Mandrel Retract Required



parts marked with (\*) indicate recommended spare parts to be kept on hand, per unit

THE INFORMATION CONTAINED	PART NO.	REV.
	M-100460	
SIZE	UNITWEIGHT (lb)	
	1734.880	
DO NOT SCALE DRAWING	DESIGNED BY	DATE CREATED
DRAWN BY	Rich West	Rich West
MODEL	Armanni Speedy PT10X	DATE PRINTED
		12/10/2012

REV.	DESCRIPTION	DATE	INITIALS