

MRT-100

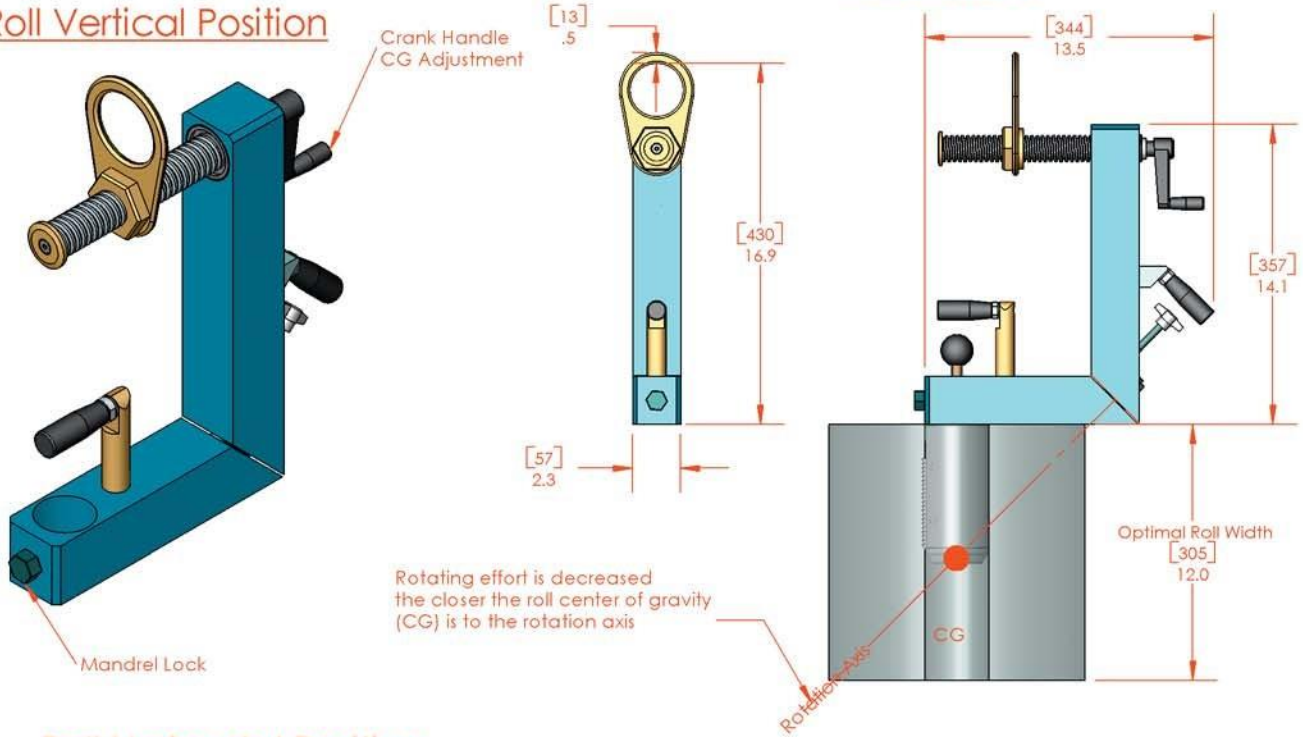
Manual Roll Turner

1/18/2005

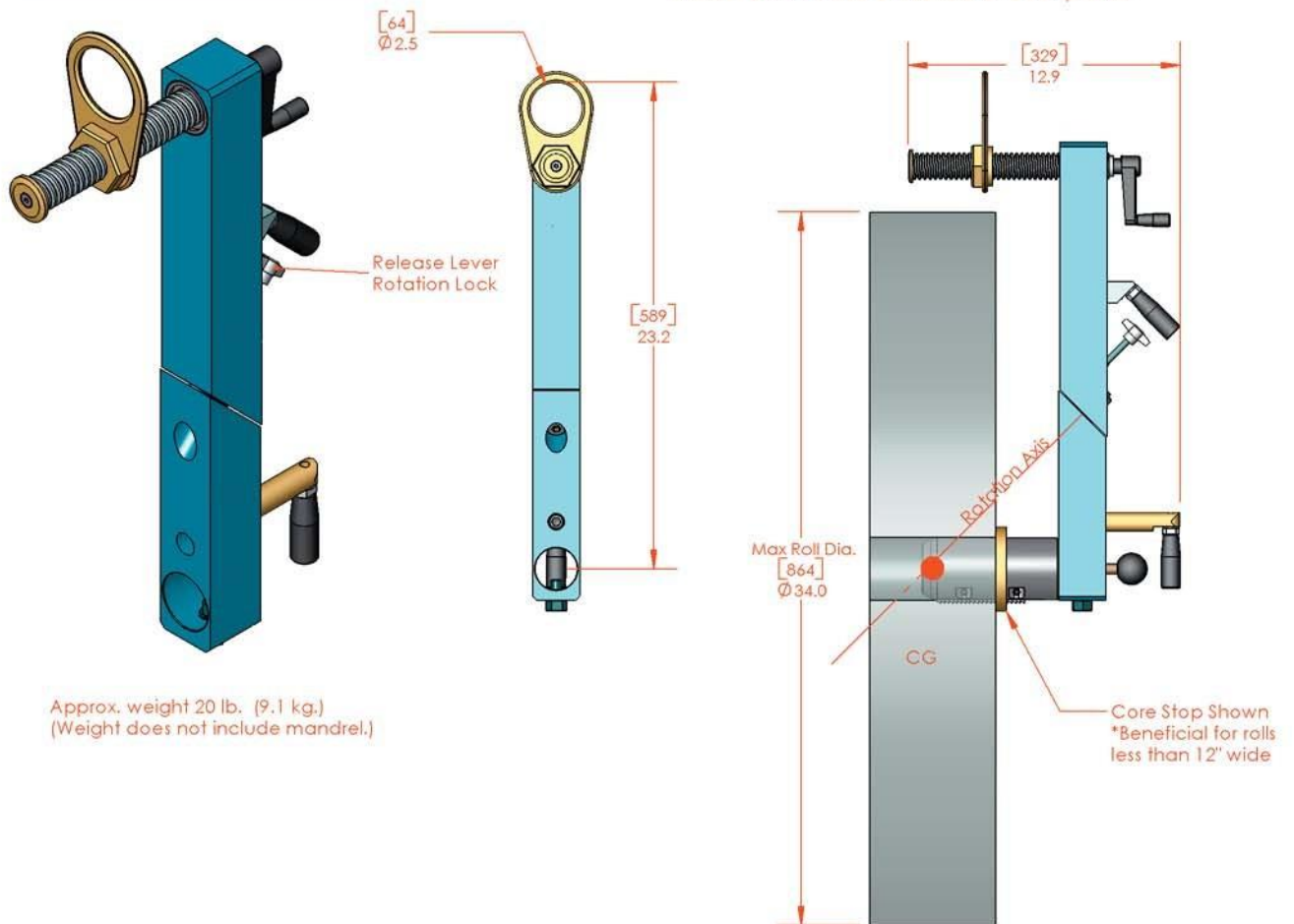
-Dimensions subject to change
-Custom configurations available

The MRT-100 is a manual roll turner and has a maximum load rating of 100lb (45kg). Specific machine capacity is determined using the roll weight and dimensions for each application and may limit capacity to less than maximum load rating.

Roll Vertical Position



Roll Horizontal Position



Approx. weight 20 lb. (9.1 kg.)
(Weight does not include mandrel.)