

Enclosures with Safety Interlock for Single Stationary Drum Rollers

Enclosures with Safety Interlock

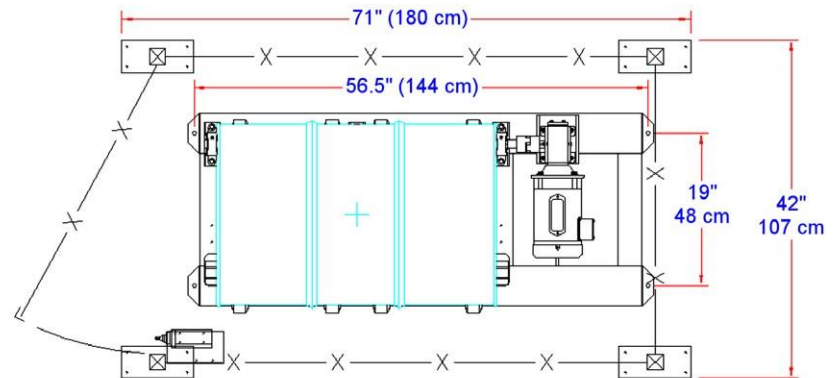
Comply with OSHA Requirements (Enclosure Kits Sold Separately)

Enclosures for Morse Single Stationary Drum Rollers have a safety interlock to automatically shut off the drum roller when the gate is opened. Open the enclosure gate, place your drum onto the drum roller, then close the gate to allow operation. Connections are included for air powered models only. Customer to provide controls and connections for 1-phase and 3-phase AC models.

Install all Morse Drum Rotators in accordance with OSHA requirements for enclosure and safety interlock, etc. Drum roller automatically turns off when enclosure door is opened. For OSHA compliance, see OSHA subpart O.1910.212(a)(4) "Barrels, containers, and drums. Revolving drums, barrels, and containers shall be guarded by an enclosure which is interlocked with the drive mechanism, so that the barrel, drum, or container cannot revolve unless the guard enclosure is in place." Power connections and motor controls must comply with applicable codes.

Guard Enclosure Kit	Description (drum roller sold separately)	Gate Switch	Domestic Ship Weight	Domestic Ship Dimensions
GEK-1-5154-1	Fits Single Stationary Drum Roller with 1-phase electric motor	AC	352 Lb. (160 kg)	L101" W31" H66" (257 x 79 x 168 cm)
GEK-1-5154-3	Fits Single Stationary Drum Roller with 3-phase electric motor	AC	352 Lb. (160 kg)	L101" W31" H66" (257 x 79 x 168 cm)
GEK-1-5154-E1	Fits Single Stationary Drum Roller with Explosion-proof 1-phase electric motor	AC	352 Lb. (160 kg)	L101" W31" H66" (257 x 79 x 168 cm)
GEK-1-5154-E3	Fits Single Stationary Drum Roller with Explosion-proof 3-phase electric motor	AC	352 Lb. (160 kg)	L101" W31" H66" (257 x 79 x 168 cm)
GEK-1-5154-A	Fits Single Stationary Drum Roller with Air motor	Air	352 Lb. (160 kg)	L101" W31" H66" (257 x 79 x 168 cm)

* Explosion Proof rated for Class I Group D, and Class II Groups F and G



Outside post-to-post Dimensions

L64" x W40" x H63.25" (163 x 102 x 161 cm)

