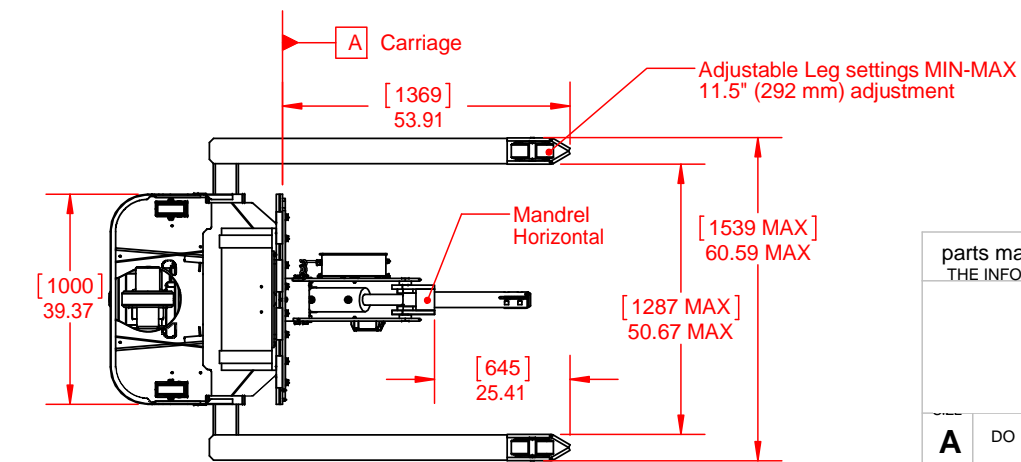
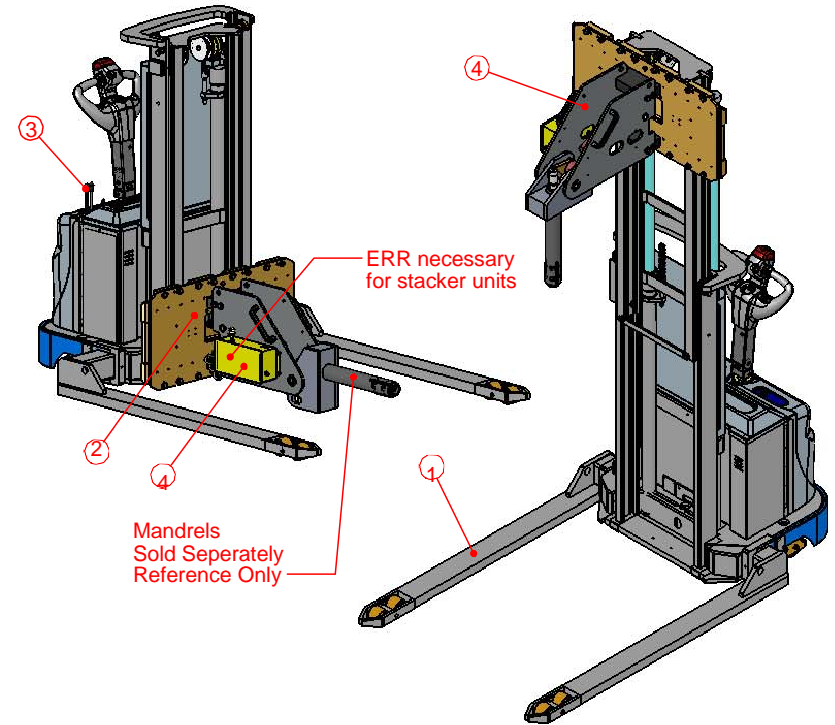


ITEM NO.	PART NUMBER	DESCRIPTION	QTY.
1	E-206126	PT20X Hydraulic Turner Tooling	1
2	E-206127	Delta Hook Mount	1
3	E-206128	Precision Hydraulics Package w/charger (MAX)	1
4	L-10979	Compressor Remote Retract Kit-24VDC	1
5	P-60182	MAX 200/25 NFAL	1

Mandrel Vertical

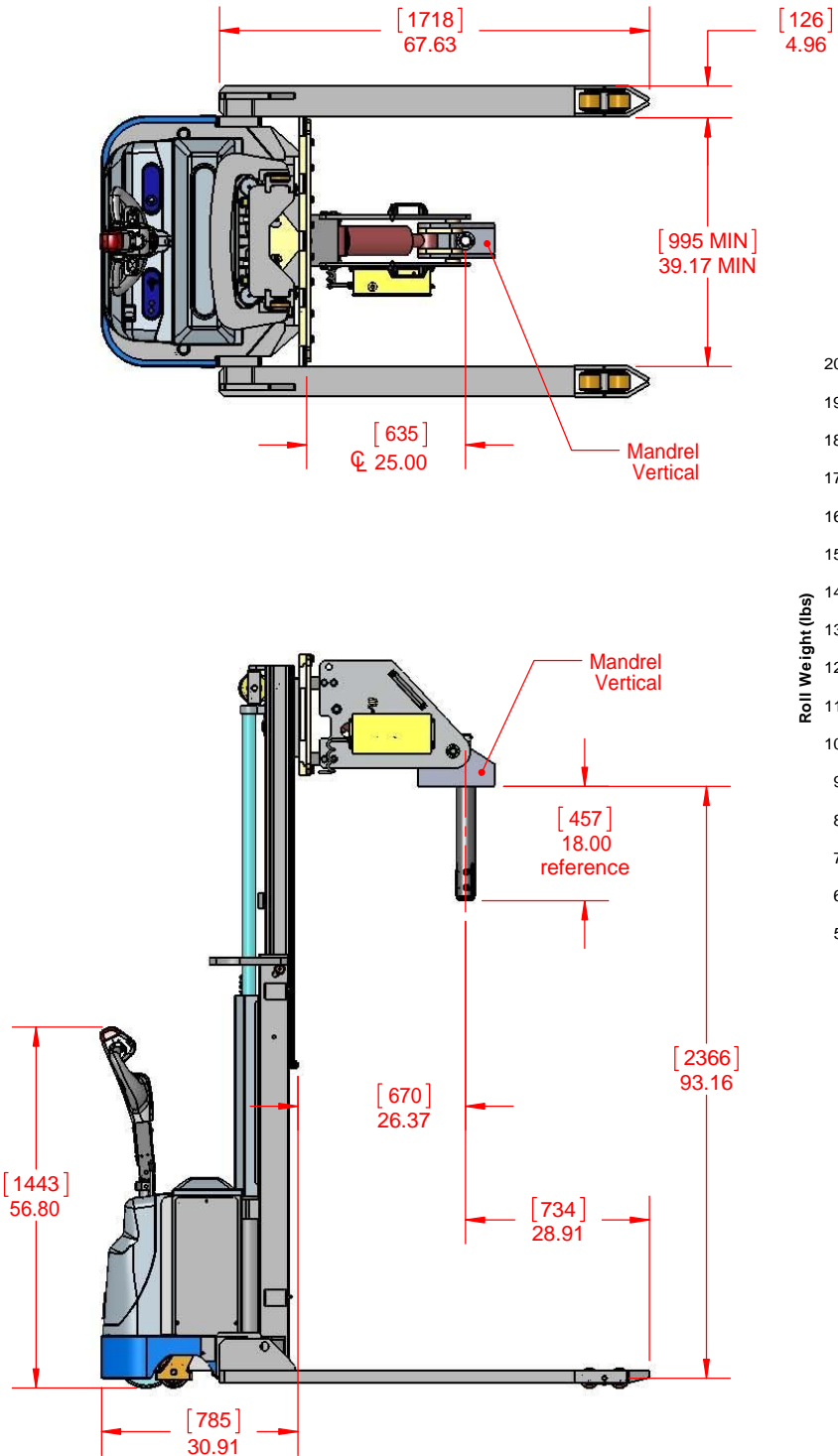


parts marked with (*) indicate recommended spare parts to be kept on hand, per unit
THE INFORMATION CONTAINED

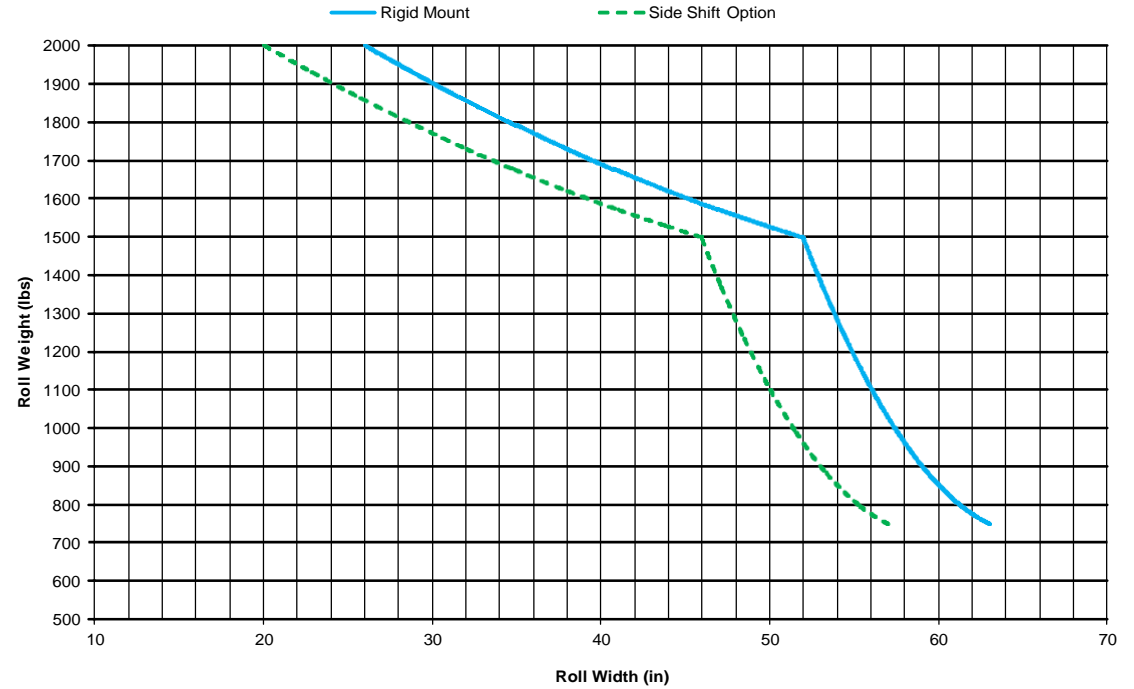
PART NO.		REV.
M-100491		
UNITWEIGHT (lb)		
2527.276		
A DO NOT SCALE DRAWING DRAWN BY: Rich West MODEL: Delta MAX-PT20X	DESIGNED BY: Rich West	DATE CREATED: 5/28/2013 DATE PRINTED: 6/14/2013

REVISIONS

REV.	DESCRIPTION	DATE	INITIALS



**PT20X Hydraulic Turner on Stackers
(Delta models with longer legs)**



parts marked with (*) indicate recommended spare parts to be kept on hand, per unit
THE INFORMATION CONTAINED

	PART NO.	REV.
	M-100491	
	UNITWEIGHT (lb)	
	2524.901	

A DO NOT SCALE DRAWING DRAWN BY Rich West	DESIGNED BY Rich West	DATE CREATED 5/28/2013
	MODEL DeltaMAX-PT20X	DATE PRINTED 6/14/2013