



## BARTHOLOMY SW SELF-REEL-TURNER



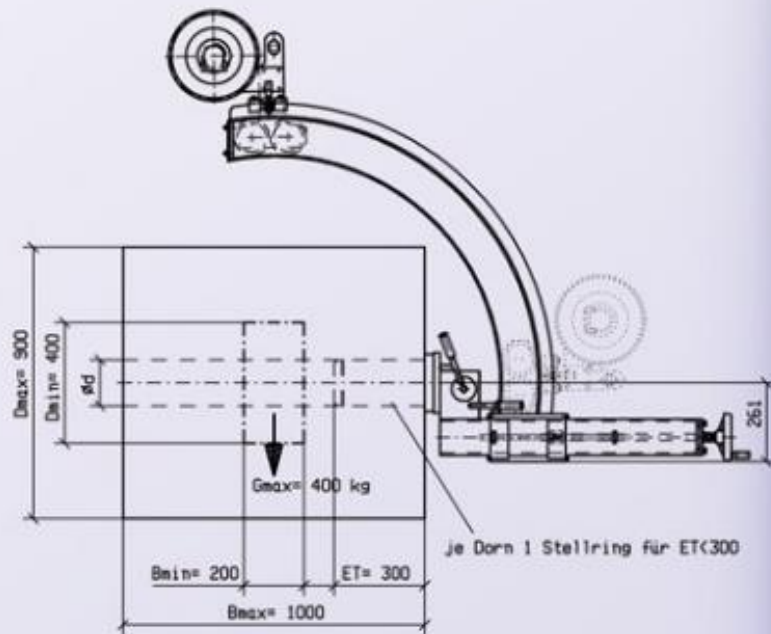
SW

### Reeldata:

- Reel weight,  
standard: 100, 150, 250,  
400, 600, 800 kg,  
Gmax: 800 kg
- Reel diameter  
Dmax: 1.200 mm
- Reel width,  
Bmax: 1.200 mm
- Gripper:  
standard 70, 76,2 and  
150, 152,4 mm

### Product features:

- simple operation
- pulley mechanic
- reel always balanced
- installation to go, hook up and ready to use



Hülseinnen- $\varnothing$  d :  $\varnothing$  76,2 mm (3") /  $\varnothing$  152,4 mm (6")

Sample drawing SW 400