



BARTHOLOMY GW SELF-REEL-FEEDER



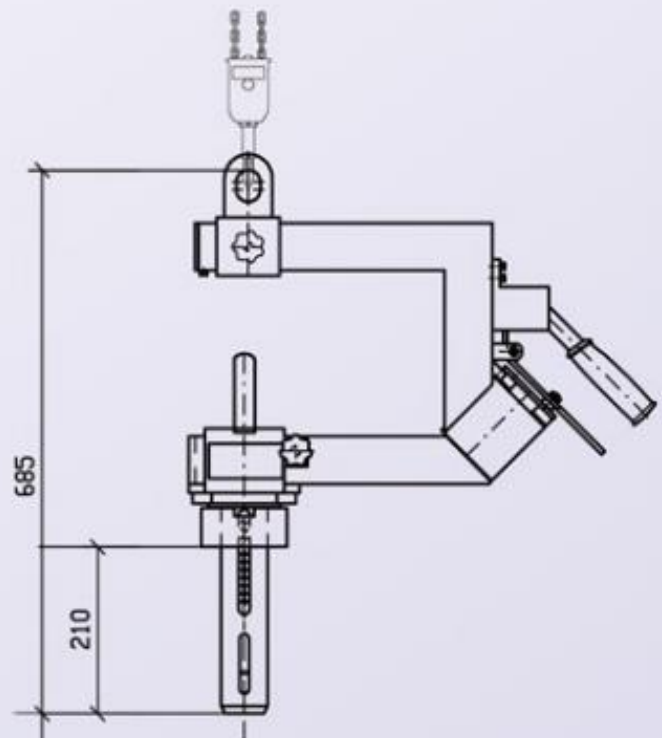
GW

Reel data:

- Reel weight,
standard: 100, 250, 400, 500 kg,
Gmax: 500 kg
- Reel diameter
Dmax: 1.500 mm
- Reel width,
Bmax: 650 mm
- Gripper:
standard 70, 76,2 and
150, 152,4 mm
- Available gripper
for core: 30 - 650 mm

Product Features:

- simple operation
- small and handy
- pulley mechanic
- reel always balanced with
reel width adjustment



Sample drawing GW 350 with
adjusting ring on gripper