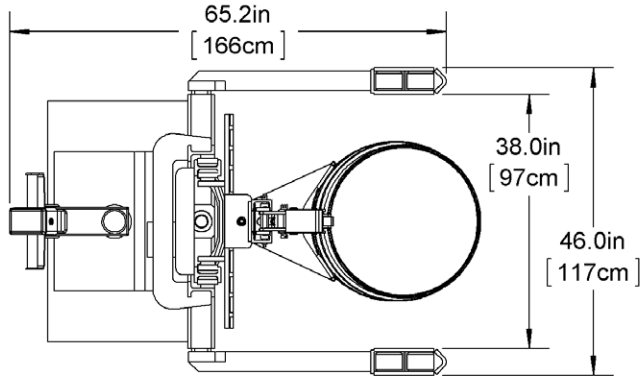




Model # 915
Drum Mover / Stacker

Dimensions of Model 915 < PILOT > MORSpeed™ Power-Propelled Drum Mover / Stacker



Net Weight: 2189 Lb. (993 kg)
Capacity: 1500 Lb. (680 kg)

MADE
IN
USA

